

## MICRO(TO-92S) type taping specification

### 1. Taping specifications

All models of MICRO(TO-92S) package product is wrapped to tape.

As for the taping, radial tape is used. The tape shall be folded and then packaged in a box

For more information about taping dimensions, please refer to figure 1. tape shape and dimensions.

About specifications of accordion type and dimensions of box , please refer to figure 2.

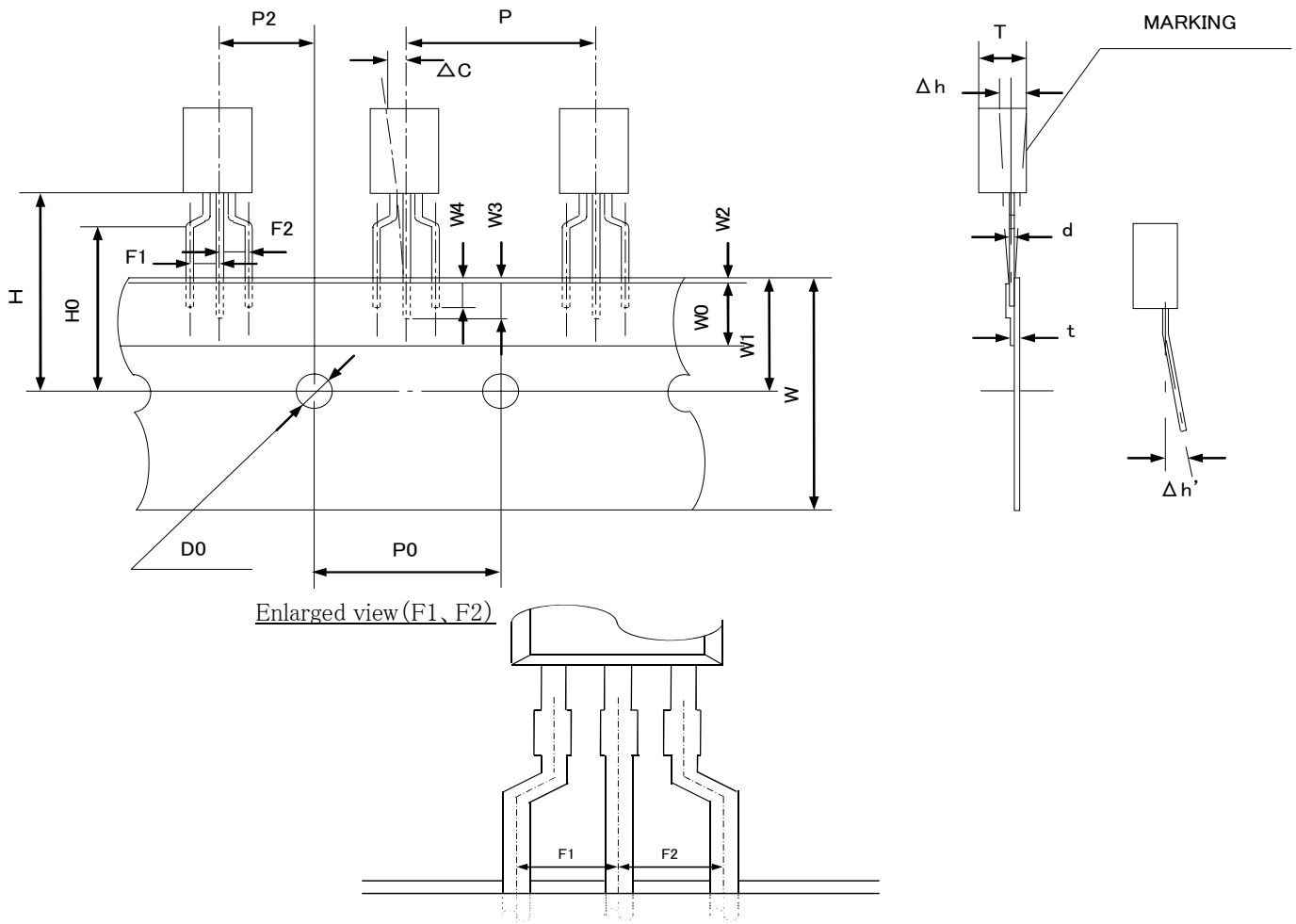
It is not coped about the rose product now.

### 2. Ordering unit

It is wrapped 2,500 by one reel.

Please inquire for the other packing specifications.

figure 1. tape shape and dimensions.

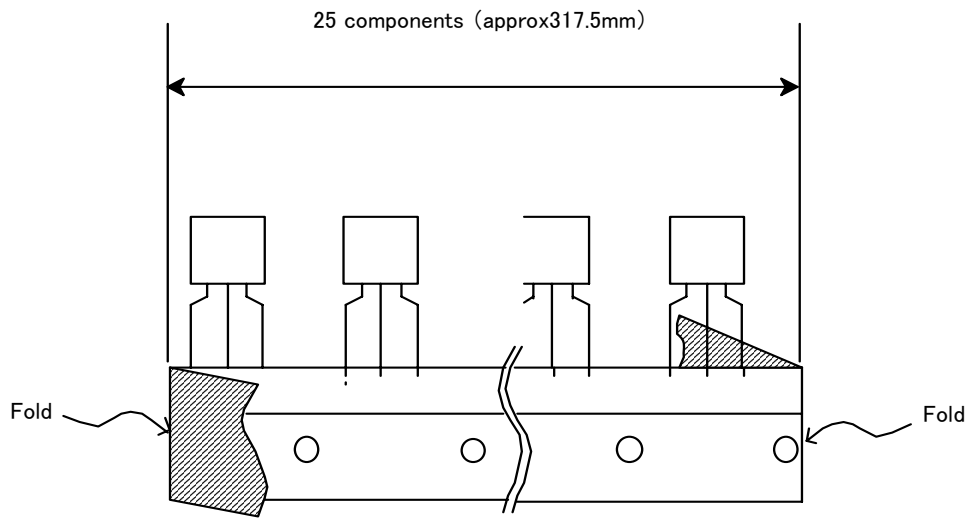


Unit: mm

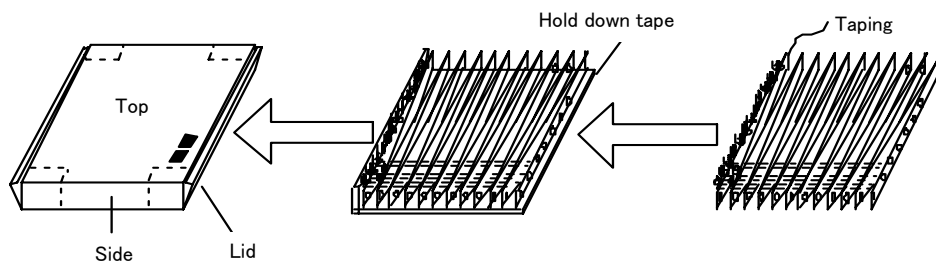
Item	Symbol	Dimensions Angle
Component thickness	T	2.5 $\begin{smallmatrix} +0.1 \\ -0.1 \end{smallmatrix}$
Lead diameter	d	0.4 $\begin{smallmatrix} +0.1 \\ -0.1 \end{smallmatrix}$
Inserted lead length(1)	W3	2.5 MIN
Inserted lead length (2)	W4	2.0 MIN
Component pitch	P	12.7 $\begin{smallmatrix} +1.0 \\ -1.0 \end{smallmatrix}$
Sprocket hole pitch	P0	12.7 $\begin{smallmatrix} +0.3 \\ -0.3 \end{smallmatrix}$
Sprocket hole location(1)	P2	6.35 $\begin{smallmatrix} +0.5 \\ -0.5 \end{smallmatrix}$
Lead spacing	F1, F2	2.5 $\begin{smallmatrix} +0.4 \\ -0.4 \end{smallmatrix}$
Component inclination (1)	$\Delta h$	0 $\begin{smallmatrix} +1.0 \\ -1.0 \end{smallmatrix}$
Carrier tape width	W	18.0 $\begin{smallmatrix} +1.0 \\ -0.5 \end{smallmatrix}$
Hold-down tape width	W0	6.0 $\begin{smallmatrix} +0.5 \\ -0.5 \end{smallmatrix}$
Sprocket hole location (2)	W1	9.0 $\begin{smallmatrix} +0.75 \\ -0.50 \end{smallmatrix}$
Tape misalignment	W2	0.5 MAX
Component package bottom height	H	19.5 MIN
Lead clinch height	H0	16.0 $\begin{smallmatrix} +0.5 \\ -0.5 \end{smallmatrix}$
Sprocket hole diameter	D0	4.0 $\begin{smallmatrix} +0.2 \\ -0.2 \end{smallmatrix}$
Component inclination (2)	$\Delta C$	0 $\begin{smallmatrix} +1.0 \\ -1.0 \end{smallmatrix}$
Lead form	$\Delta h'$	0 $\begin{smallmatrix} +1.0 \\ -1.0 \end{smallmatrix}$
Tape thickness	t	0.7 $\begin{smallmatrix} +0.2 \\ -0.2 \end{smallmatrix}$

figure 2. Specifications of accordion type and dimensions of box

(1) Specifications of accordion type



After lead-taping is completed, the tape shall be folded and then packaged in a box, as shown below.



(2) Dimensions of box

