

SC-88A type taping specification

1. Taping specifications

All models of SC-88A package product is wrapped to tape.

For more information about taping dimensions, please refer to figure 1. tape shape and dimensions.

2. Ordering unit

It is wrapped 3,000 by one reel.

For more information about reel dimensions, please refer to figure 2. reel shape and dimensions.

3. Leader and trailer specifications at the time of the reel packing.

About leader and trailer specifications, please refer to figure 3. leader and Trailer.

Please inquire for the other packing specifications.

figure 1. tape shape and dimensions. (Unit : mm)

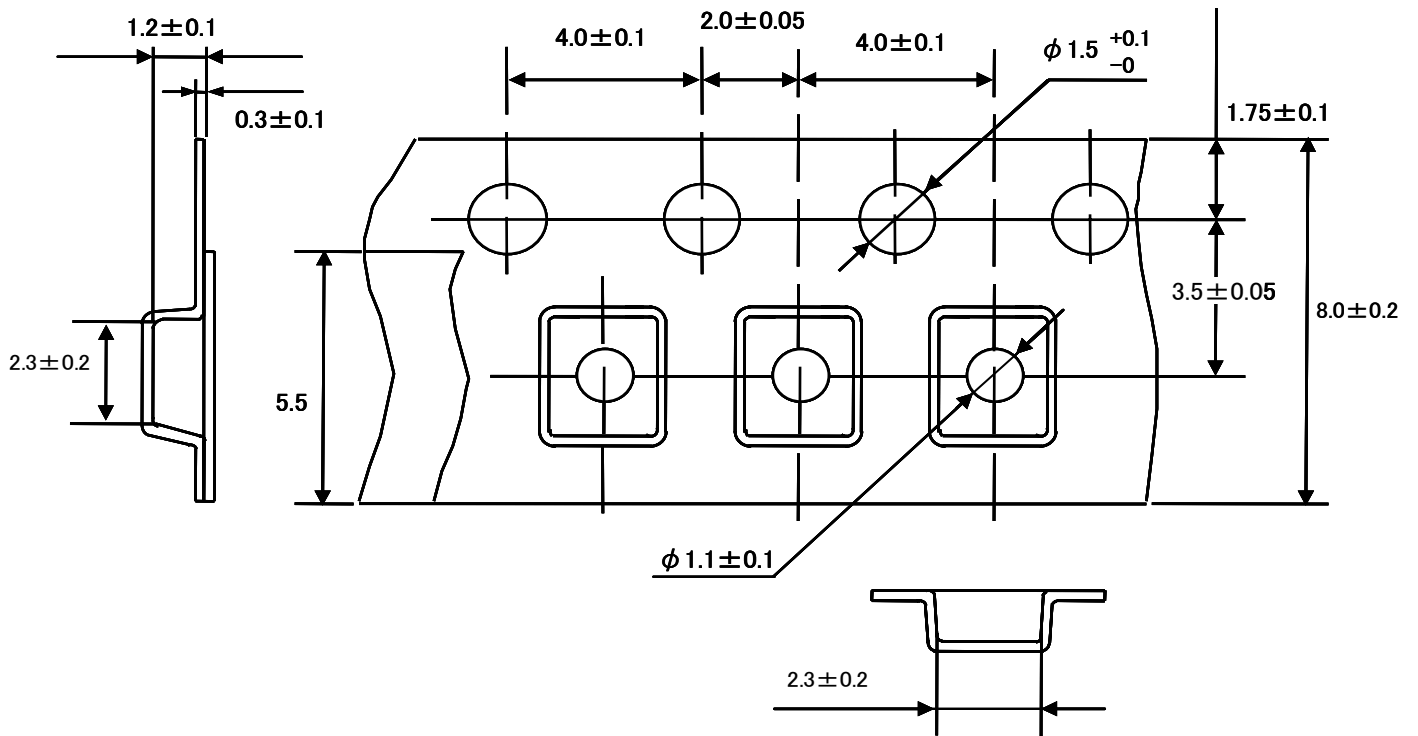
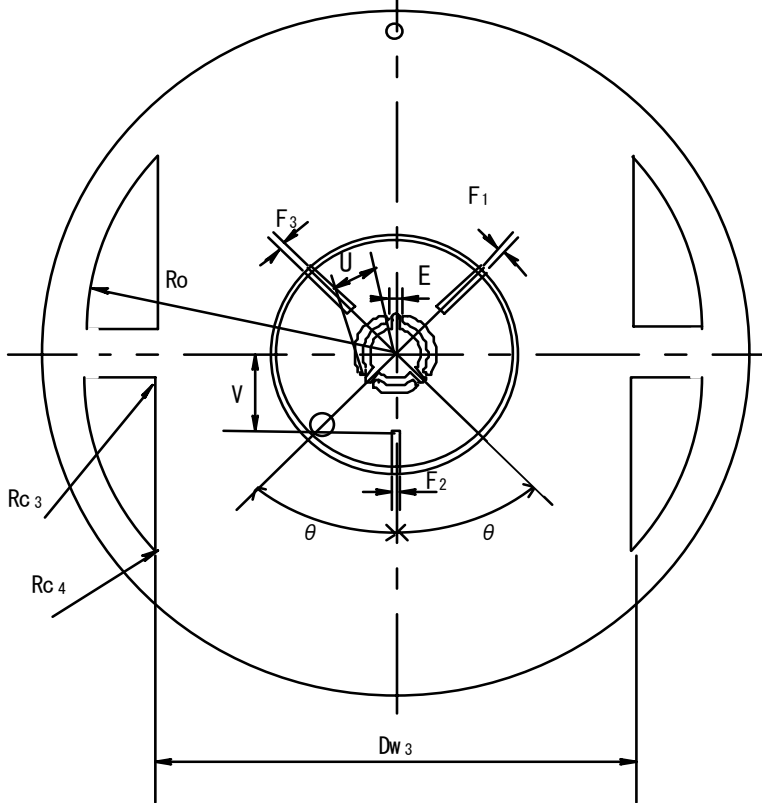
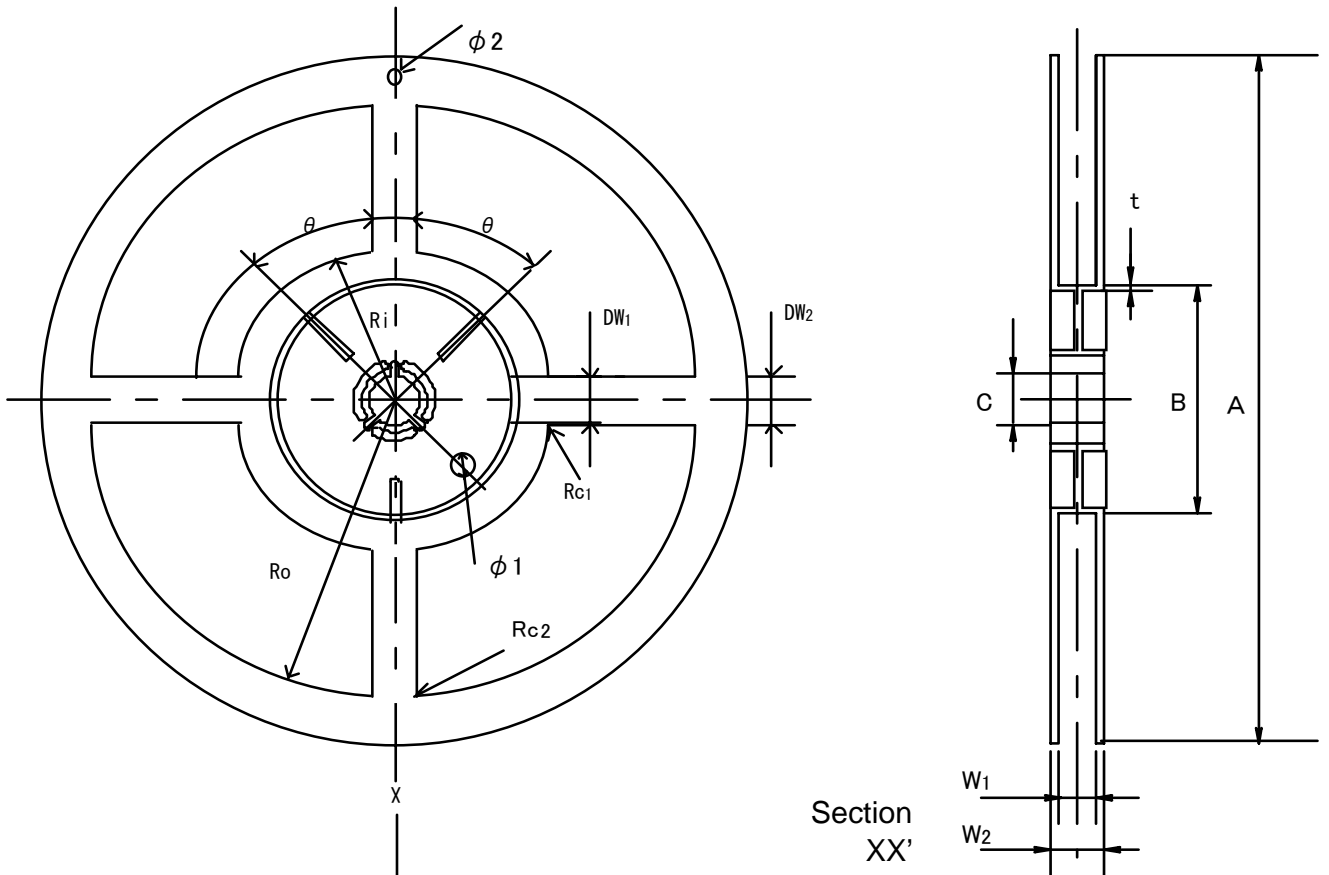


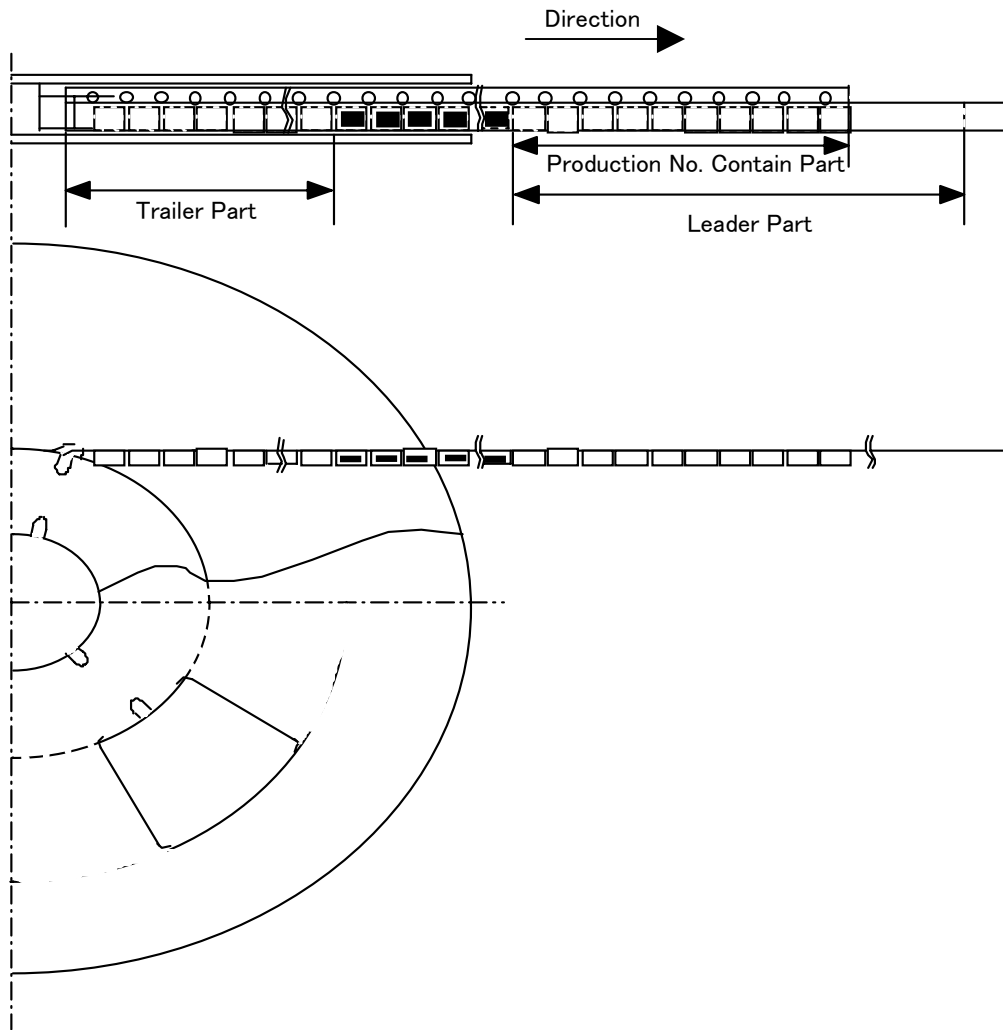
figure 2. reel shape and dimensions.



Unit : mm

Item		Symbol	Dimensions Angle	
Flange	Diameter	A	$\phi 180$ ⁺³ ₋₃	
	Thickness	t	1.5	
	Clearance between flanges (inside)	W1	9.0 ^{+0.5} _{-0.5}	
	Clearance between flanges (outside)	W2	11.4 ^{+1.0} _{-1.0}	
Hub	Diameter	B	$\phi 60$ ⁺¹ ₋₀	
	Hub Slit	Width	F1 F2	5.0 3.0 ^{+0.3} _{-0.3}
		Depth	F3	4.0 ^{+0.3} _{-0.3}
		Location	θ	60°
	Spindle hole diameter	C	$\phi 13$ ^{+0.2} _{-0.2}	
	Key Way	Width	E	2 ^{+0.5} _{-0.5}
		Depth	U	10.5 ^{+0.5} _{-0.5}
		Location	θ	60°
#1 Diameter	$\phi 1$	$\phi 10$		
Window	Outer radius	Ro	R79 ⁺¹ ₋₁	
	Inner radius	Ri	R36 ⁺¹ ₋₁	
	Conner roundness	Rc1	R15	
		Rc2	R6	
		Rc3	R6	
		Rc4	R3	
	Clearance between window	Dw1	18	
		Dw2	12	
		Dw3	110	
#2 Diameter	$\phi 2$	$\phi 3$		

figure 3. leader and Trailer.



	Item	Specifications	Remarks
Leader	Cover tape	100pocket/ equal to more than 400mm (cover tape individual MIN 200mm)	Tape end shall be fixed to outer layer with adhesive
	Carrier tape (Production No Contain Part)	25pocket/ equal to more than 100mm	Reeling direction shall be as shown above.
Trailer	Carrier tape	40pocket/ equal to more than 160mm	Tape end shall be fixed to hub with adhesive tape.